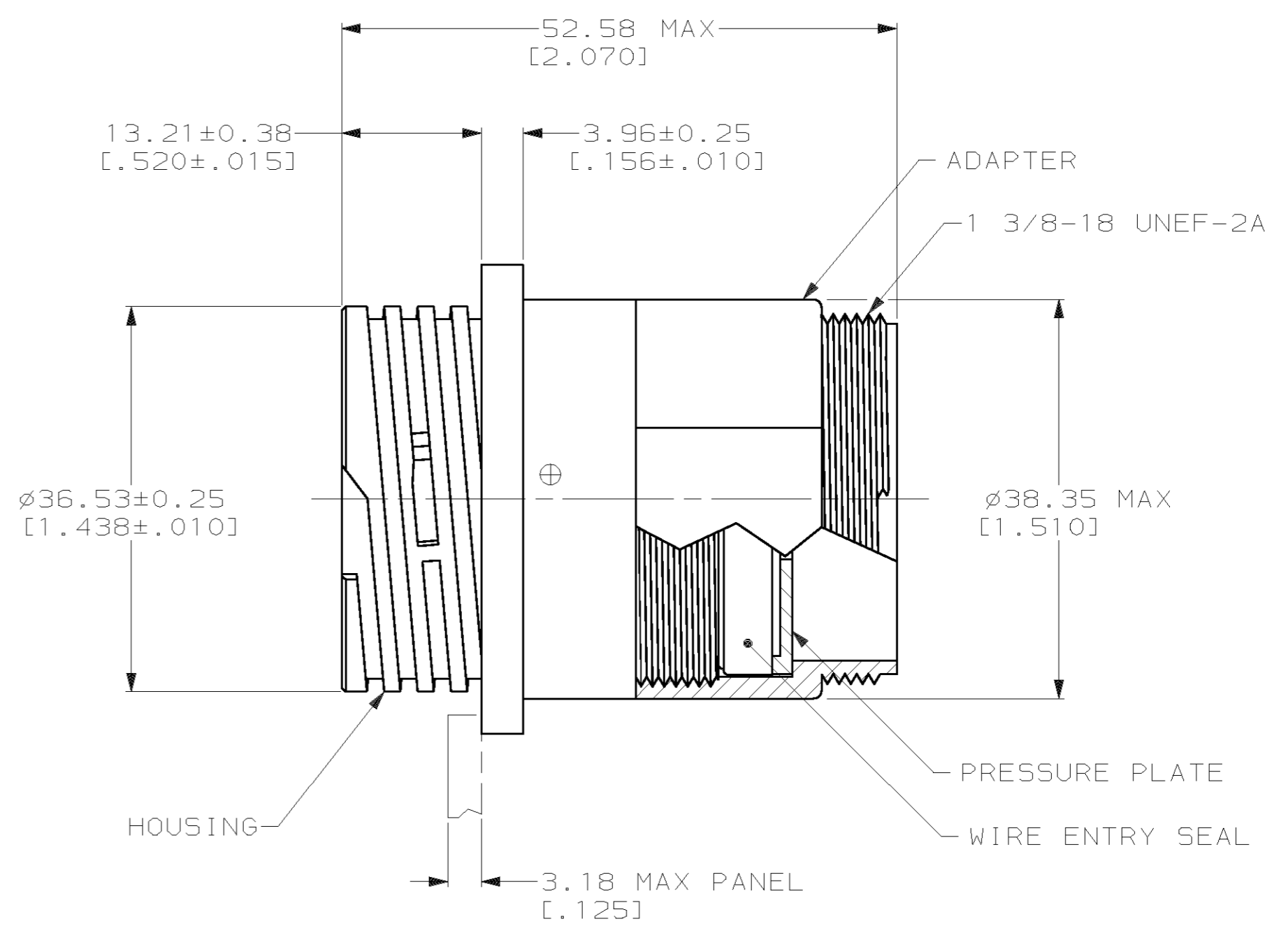
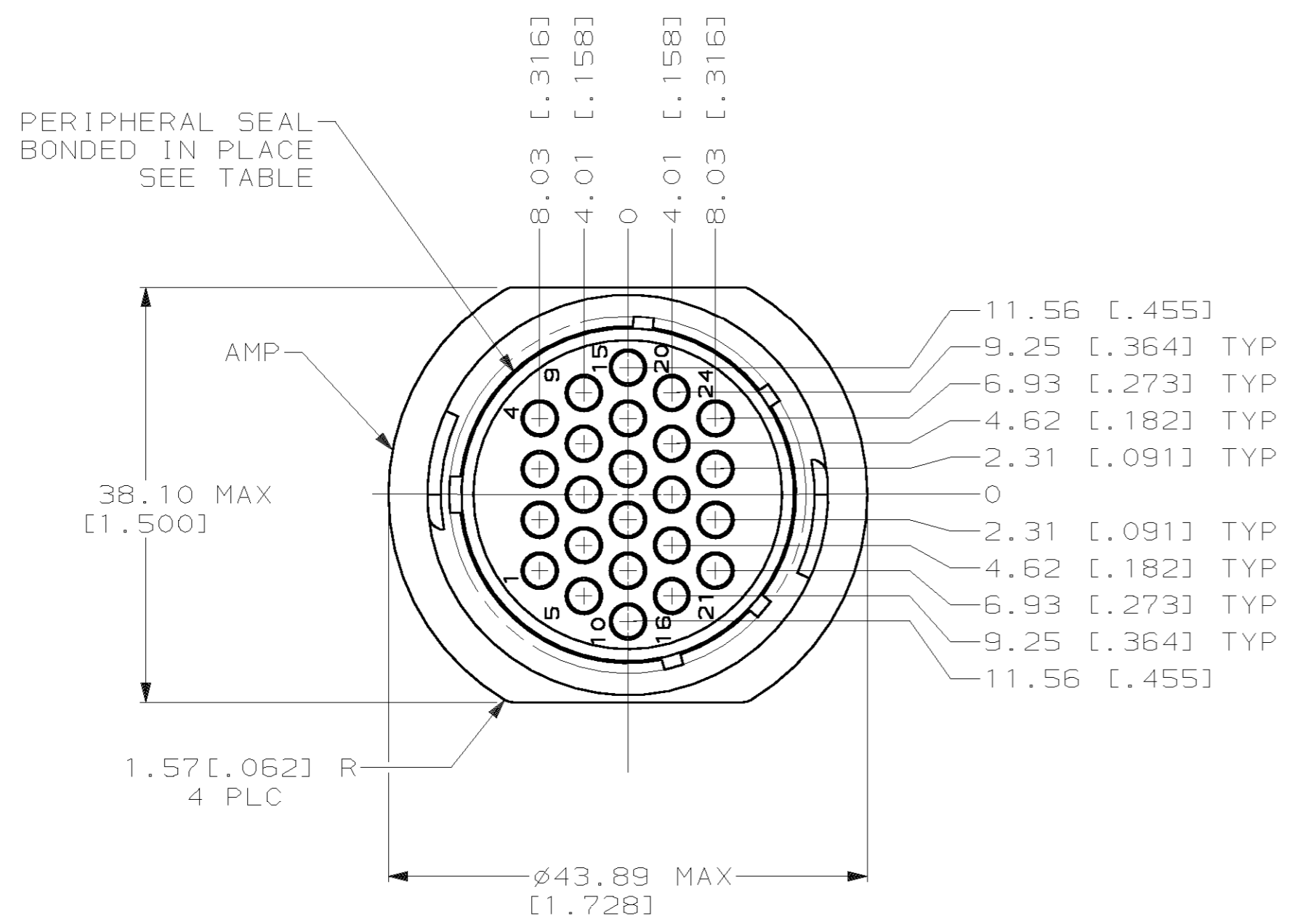


THIS DRAWING IS UNPUBLISHED. RELEASED FOR PUBLICATION .19
 (C) COPYRIGHT 19 BY AMP INCORPORATED. ALL RIGHTS RESERVED.

LOC		DIST		REVISIONS			
P	LTR	DESCRIPTION		DATE	DWN	APVD	
FT	0	A	REVISE PER ECN 063B-0348-00		14AUG00	SU	H5

- 1. HOUSING, ADAPTER AND PRESSURE PLATE: NYLON, BLACK.
 WIRE ENTRY SEAL: ELASTOMER, RED-IRON OXIDE.
 PERIPHERAL SEAL: ELASTOMER, GREY.
- 2. CONNECTOR WILL ACCEPT (24) MULTIMATE PIN CONTACTS.



796291-1
 PART NUMBER

THIS DRAWING IS A CONTROLLED DOCUMENT.		DWN L. McEACHIN 11-JAN-2000	AMP Incorporated Harrisburg, PA 17105-3608	
DIMENSIONS: mm [INCHES]		CHK K. DOWHOWER 11-JAN-2000	NAME ASSEMBLY, RECEPTACLE, 23-24 FREE HANGING, STANDARD SEX, SEALED CPC	
TOLERANCES UNLESS OTHERWISE SPECIFIED: 0 PLC ±- 1 PLC ±- 2 PLC ±0.13 [.005] 3 PLC ±- 4 PLC ±- ANGLES ±- FINISH -		APVD K. DOWHOWER 11-JAN-2000	PRODUCT SPEC 108-1579	
MATERIAL		APPLICATION SPEC	SIZE A2	CAGE CODE 00779
		WEIGHT	DRAWING NO 796291	
		CUSTOMER DRAWING		RESTRICTED TO -
		SCALE 2:1	SHEET 1 OF 1	REV A

796291